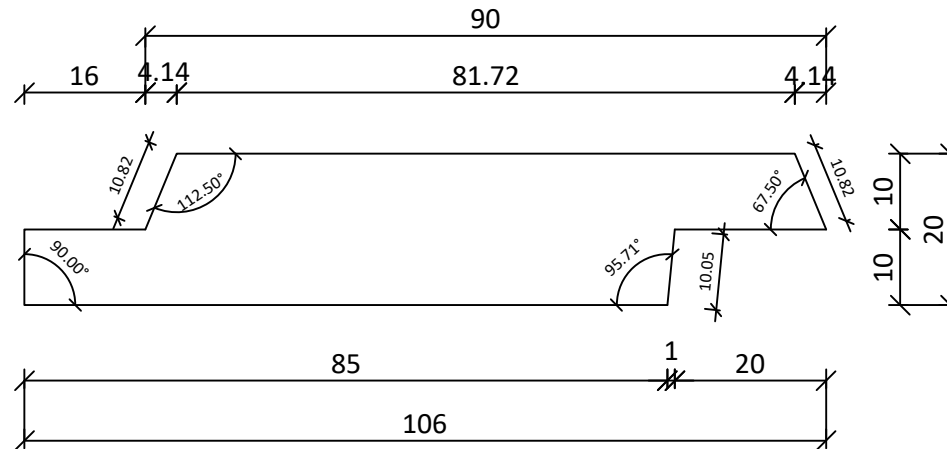


Radial Shiplap 90x19mm V-Joint Profile



NOTES:

THE BUILDER SHALL CHECK AND VERIFY ALL DIMENSIONS AND NOTIFY ALL ERRORS AND OMISSIONS TO THE DESIGNER. DRAWINGS ARE NOT TO BE USED FOR CONSTRUCTION UNTIL ISSUED BY THE DESIGNER FOR CONSTRUCTION. DO NOT SCALE DRAWINGS. USE FIGURED DIMENSIONS ONLY.

FIXING DETAILS:

REFER TO RADIAL TIMBERS RECOMMENDED FIXINGS (www.radialtimbers.com.au)

RADIAL TIMBER SALES
12 PARK DRIVE,
DANDENONG SOUTH 3175

PH: (03) 9768 2100

FAX: (03) 9768 2177

EMAIL: sales@radialtimbers.com.au

WEB: www.radialtimbers.com.au



OUTLAST TIMBER SUPPLIES
96-100 GOVERNOR ROAD,
MORDIALLOC, 3195

PH: (03) 9587 0366

FAX: (03) 9587 0369

EMAIL: sales@outlast.com.au

WEB: www.outlast.com.au

DRAWING NAME: Radial Shiplap - 90x19mm V-Joint Profile

SCALE: A4 - 1:1

DATE: 23/6/18

DRAWN BY: RADIAL TIMBER

DWG NO: RTS01-VJ90

REVISION: 02