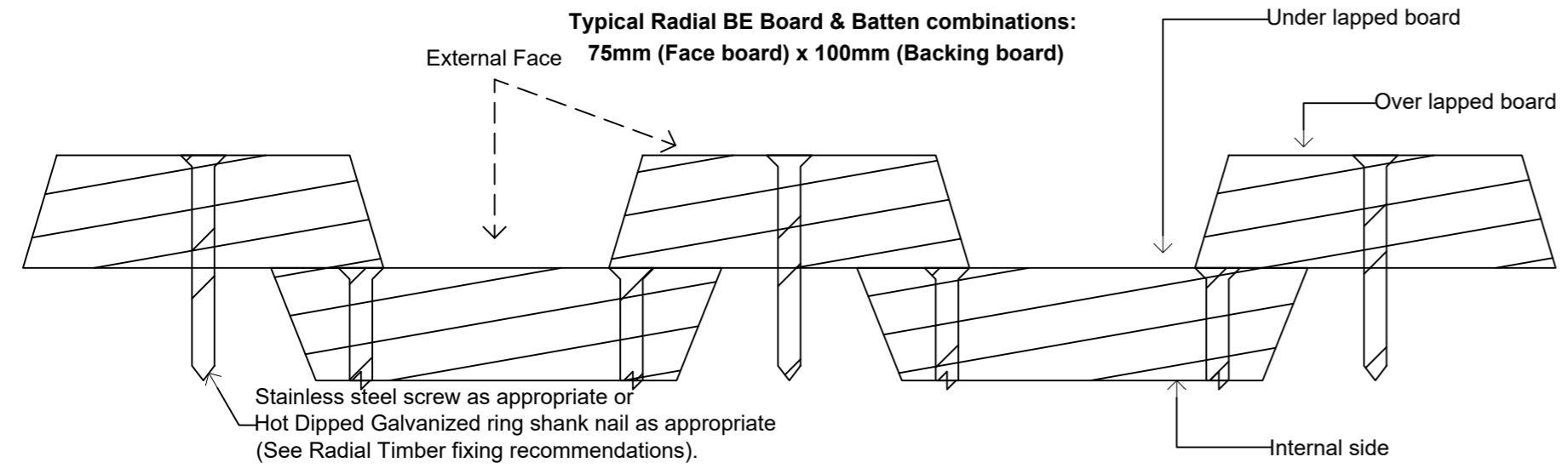
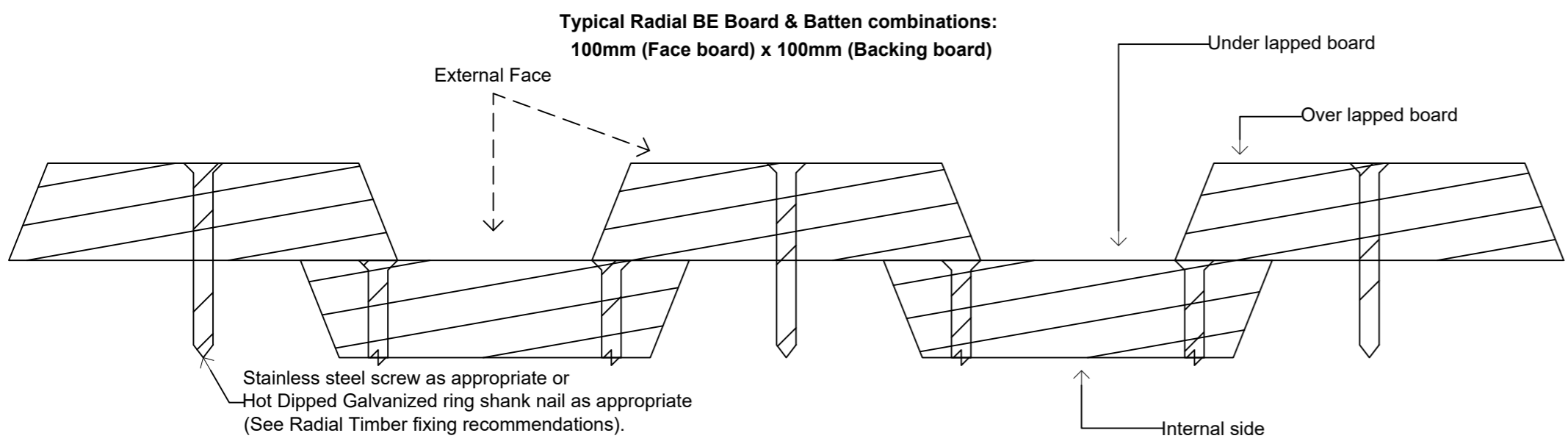


Note: Radial recommends a minimum of 25-30mm overlap of face boards
 (See Radial Timber fixing recommendation sheet)
 All Bevelled Edge rough sawn timbers are nominal size.

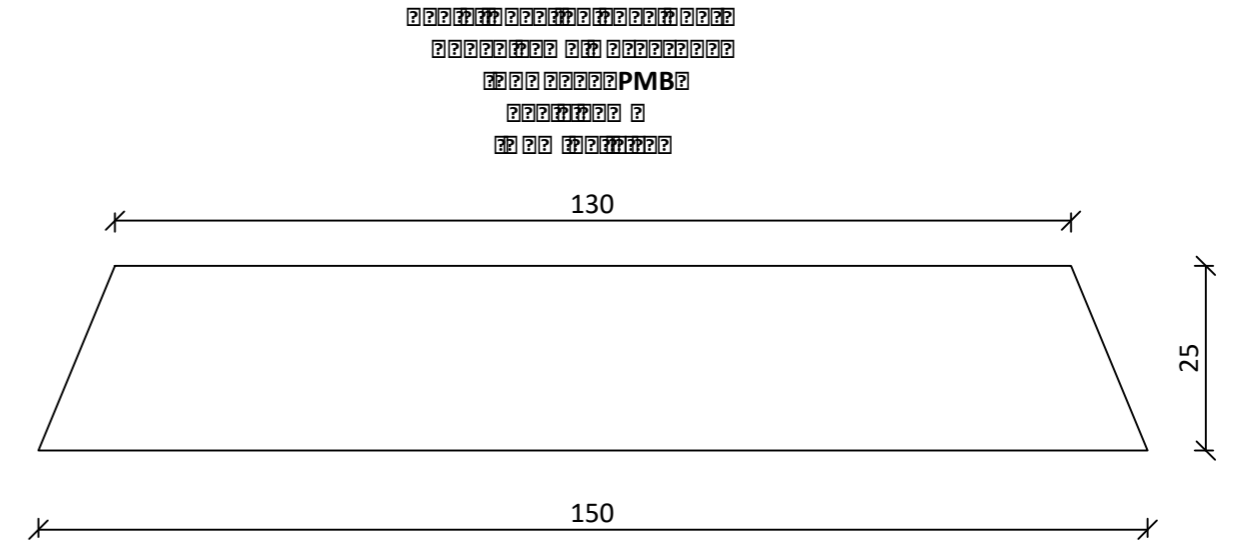
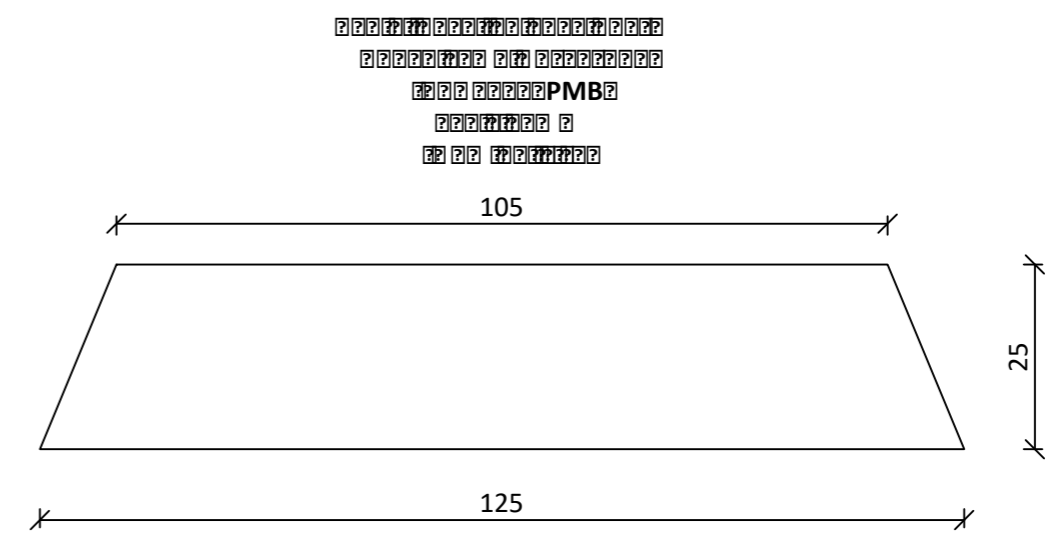
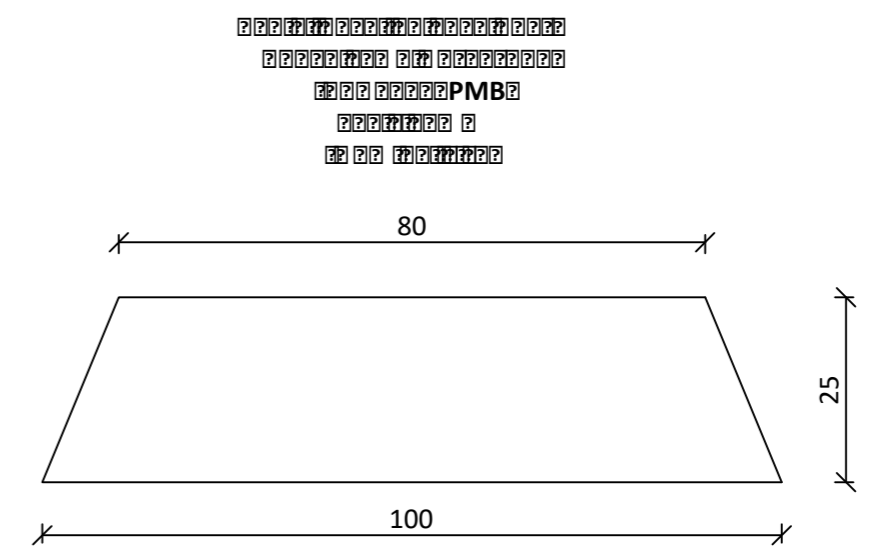
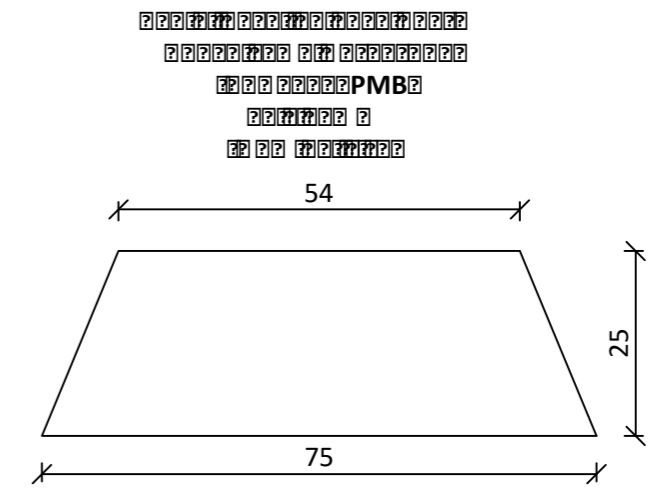
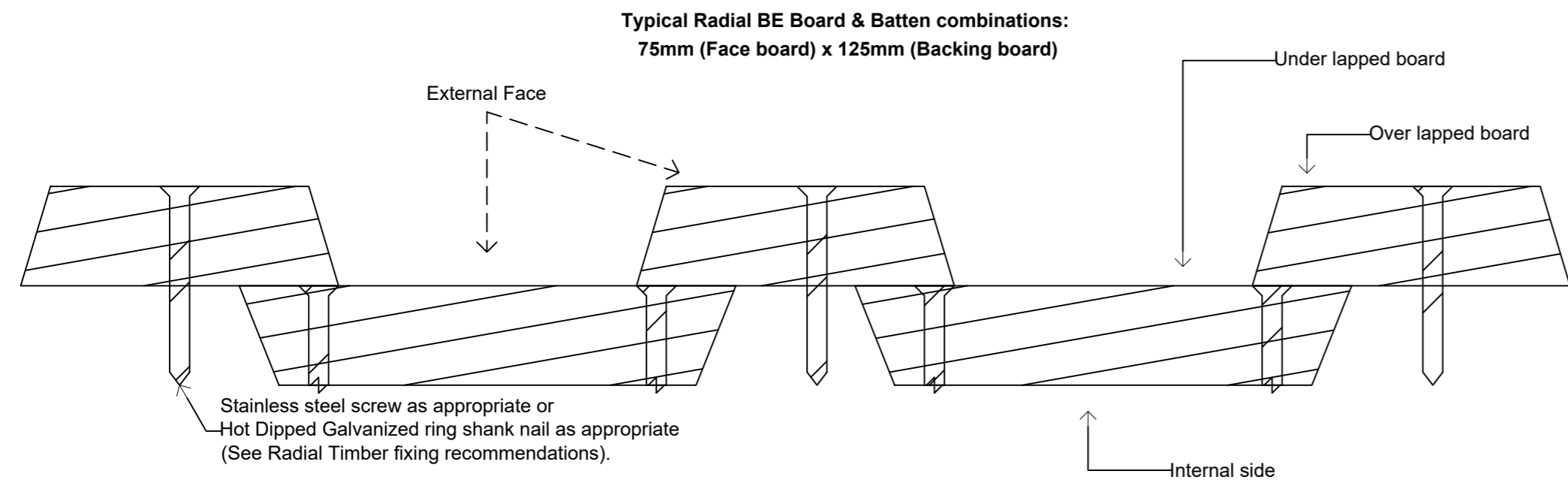
Typical Radial BE Board & Batten combinations:
75mm (Face board) x 100mm (Backing board)



Typical Radial BE Board & Batten combinations:
100mm (Face board) x 100mm (Backing board)



Typical Radial BE Board & Batten combinations:
75mm (Face board) x 125mm (Backing board)



(Left) • Bevelled Edge Board Unseasoned Rough Sawn - 75x25(Top) & 100x25mm (Bottom)

NOTES:
 THE BUILDER SHALL CHECK AND VERIFY ALL DIMENSIONS AND NOTIFY ALL ERRORS AND OMISSIONS TO THE DESIGNER. DRAWINGS ARE NOT TO BE USED FOR CONSTRUCTION UNTIL ISSUED BY THE DESIGNER FOR CONSTRUCTION. DO NOT SCALE DRAWINGS. USE FIGURED DIMENSIONS ONLY.
FIXING DETAILS:
 REFER TO RADIAL TIMBERS RECOMMENDED FIXINGS (www.radialtimbers.com.au)

RADIAL TIMBER SALES
 12 PARK DRIVE,
 DANDENONG SOUTH 3175
 PH: (03) 9768 2100
 EMAIL: sales@radialtimbers.com.au
 WEB: www.radialtimbers.com.au



DRAWING NAME:
 Typical Bevelled Edge Board & Batten Rough Sawn Setout

| | |
|--------------------------------|-------------------------|
| SCALE: A2 - 1:1 | DWG NO: RTS04/02 |
| DATE: 16/07/24 | REVISION: 03 |
| DRAWN BY: RADIAL TIMBER | |