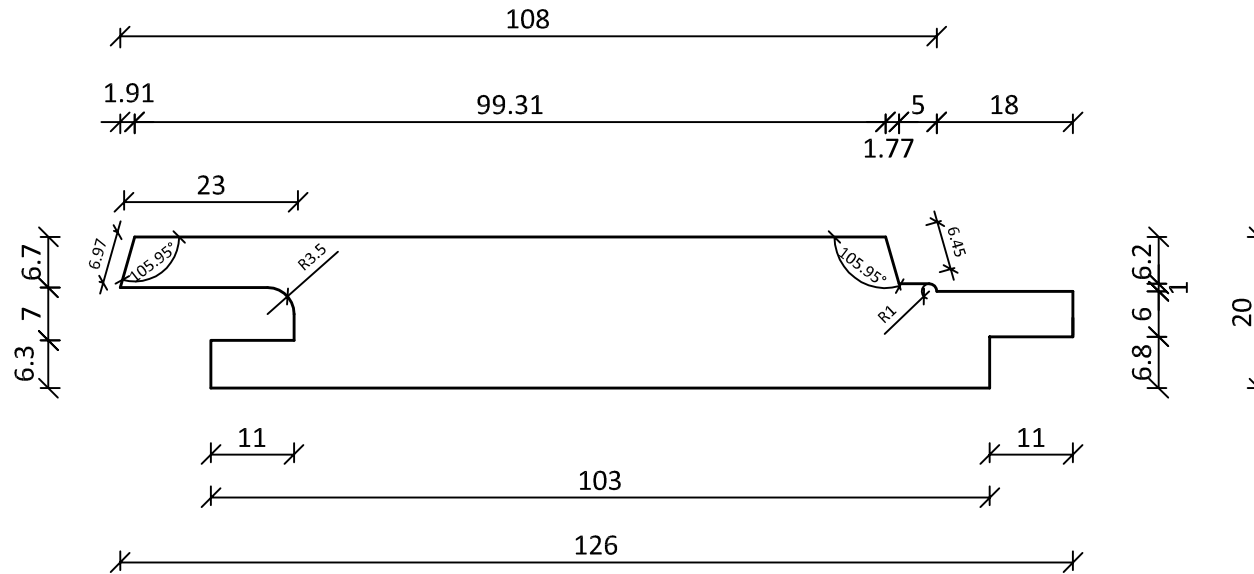


**Radial Shiplap  
Secret Fix  
SQE KD DAR  
110 x 20mm**



**NOTES:**

THE BUILDER SHALL CHECK AND VERIFY ALL DIMENSIONS AND NOTIFY ALL ERRORS AND OMISSIONS TO THE DESIGNER. DRAWINGS ARE NOT TO BE USED FOR CONSTRUCTION UNTIL ISSUED BY THE DESIGNER FOR CONSTRUCTION. DO NOT SCALE DRAWINGS. USE FIGURED DIMENSIONS ONLY.

**FIXING DETAILS:**  
REFER TO RADIAL TIMBERS RECOMMENDED FIXINGS  
([www.radialtimbers.com.au](http://www.radialtimbers.com.au))

RADIAL TIMBER SALES  
12 PARK DRIVE,  
DANDENONG SOUTH 3175  
PH: (03) 9768 2100  
FAX: (03) 9768 2177  
EMAIL: [sales@radialtimbers.com.au](mailto:sales@radialtimbers.com.au)  
WEB: [www.radialtimbers.com.au](http://www.radialtimbers.com.au)



OUTLAST TIMBER SUPPLIES  
96-100 GOVERNOR ROAD,  
MORDIALLOC, 3195  
PH: (03) 9587 0366  
FAX: (03) 9587 0369  
EMAIL: [sales@outlast.com.au](mailto:sales@outlast.com.au)  
WEB: [www.outlast.com.au](http://www.outlast.com.au)

DRAWING NAME: Radial Shiplap - 110x20mm SQE Secret Fix Profile

SCALE: A4 - 1:1

DATE: 16/10/15

DRAWN BY: RADIAL TIMBER

DWG NO: RTS01-SQE110

REVISION: 01